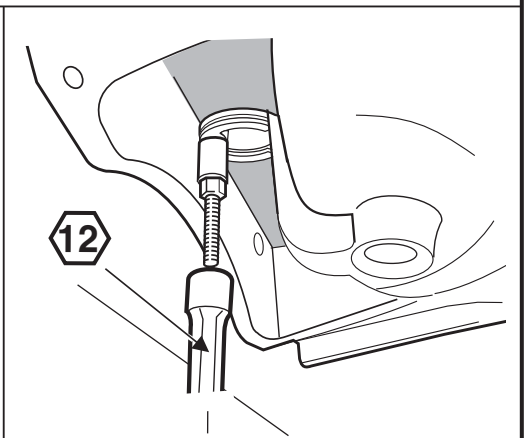
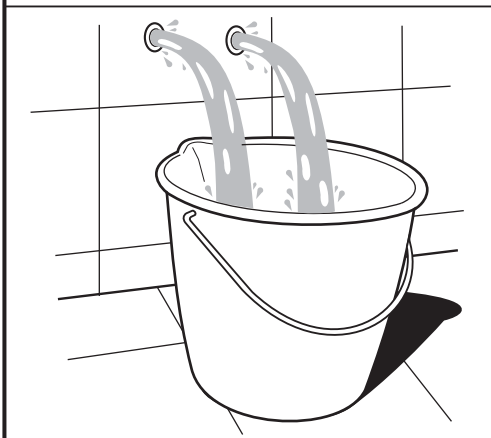
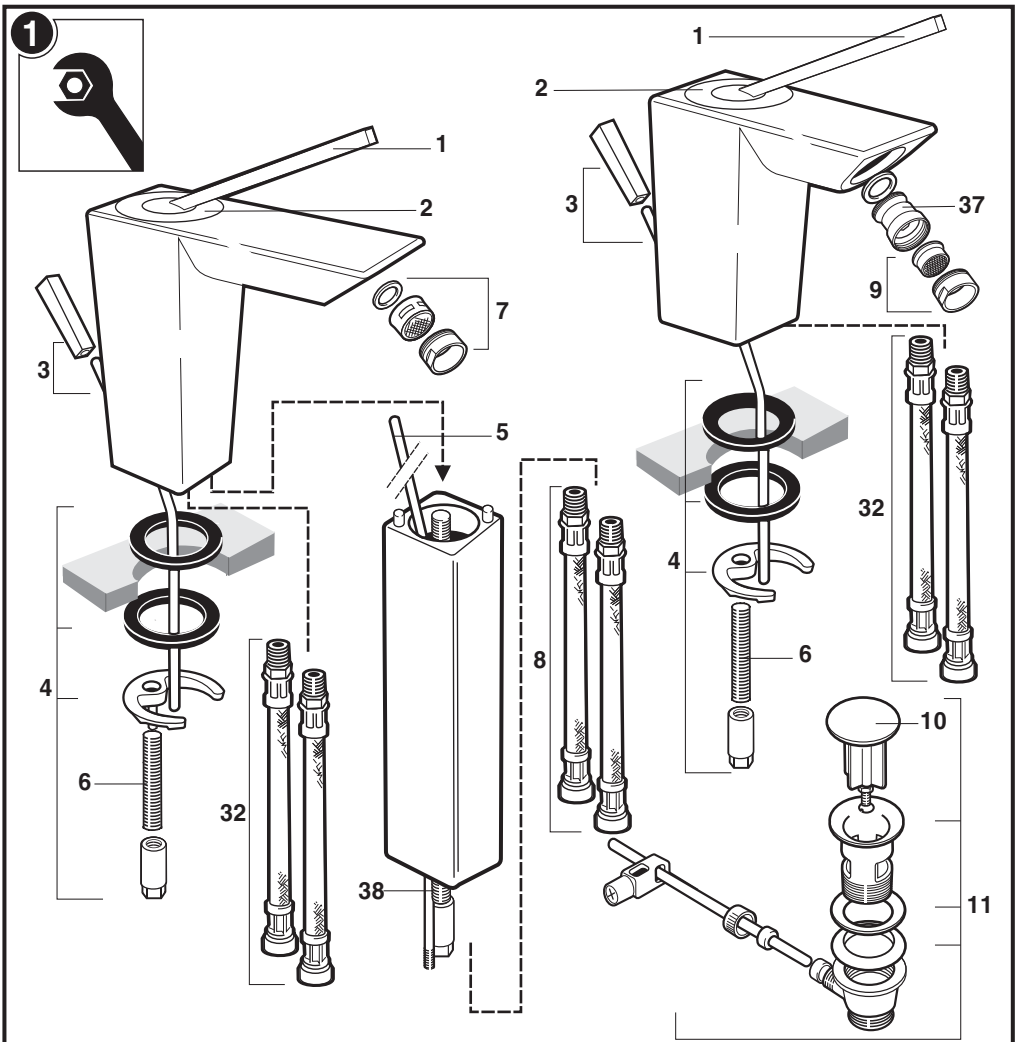
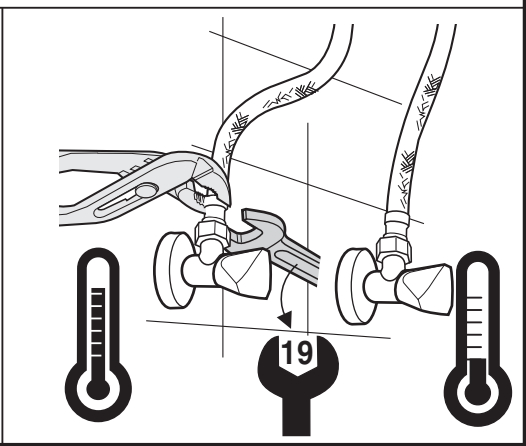
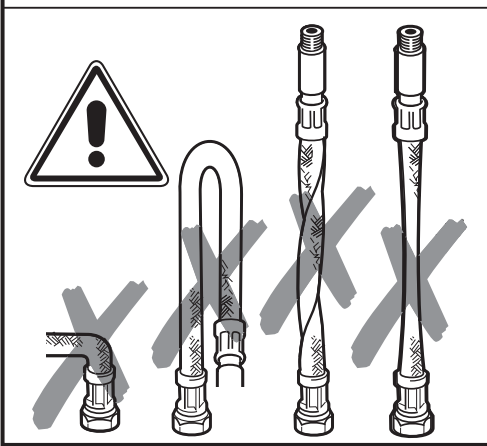
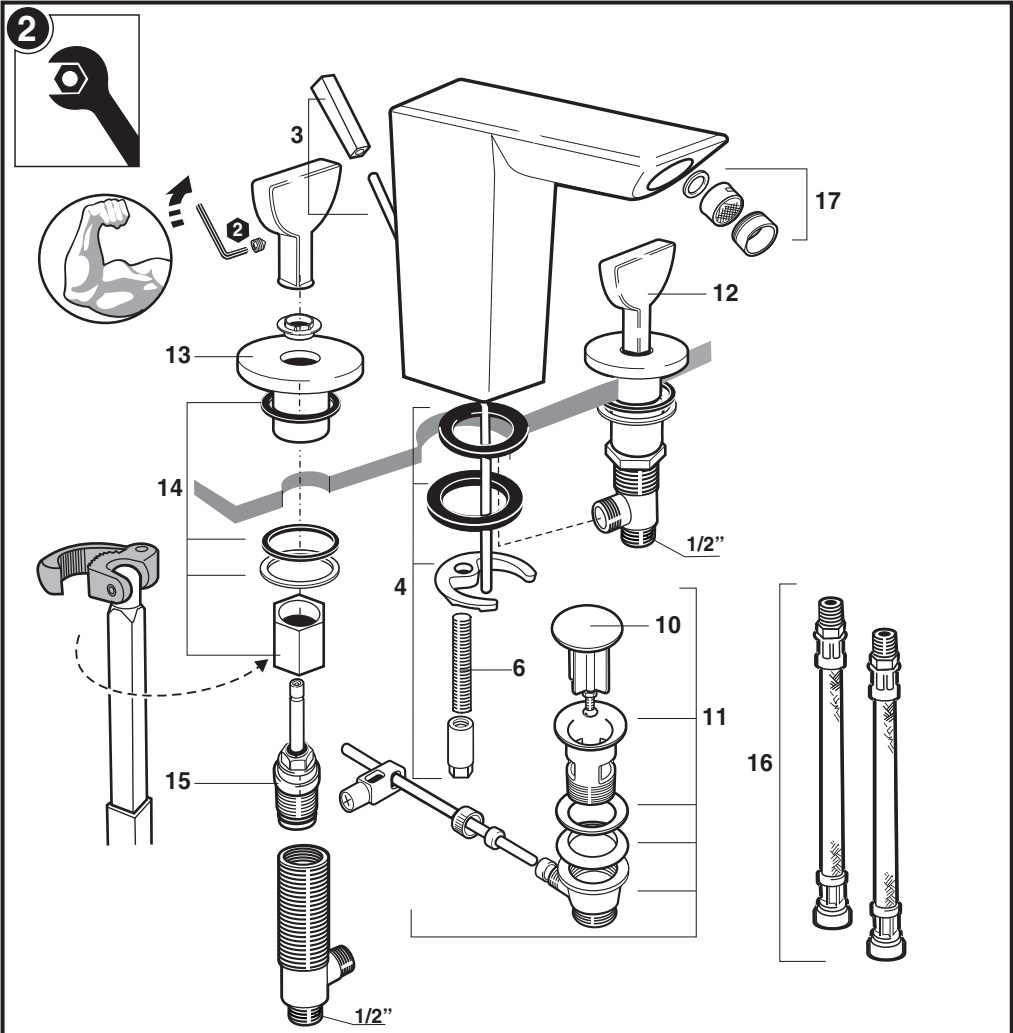


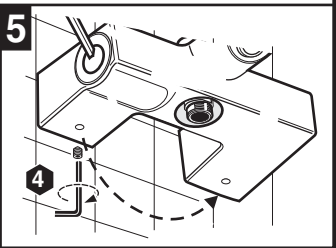
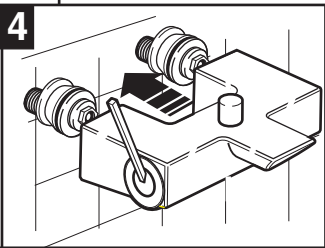
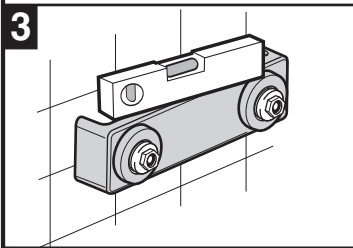
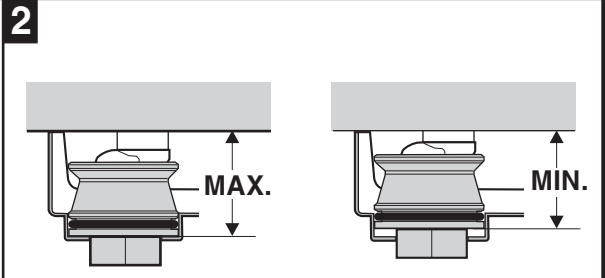
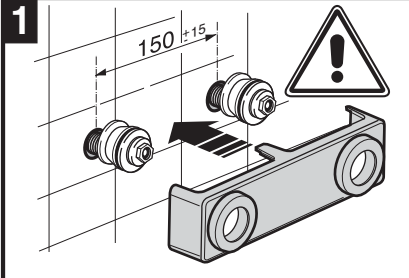
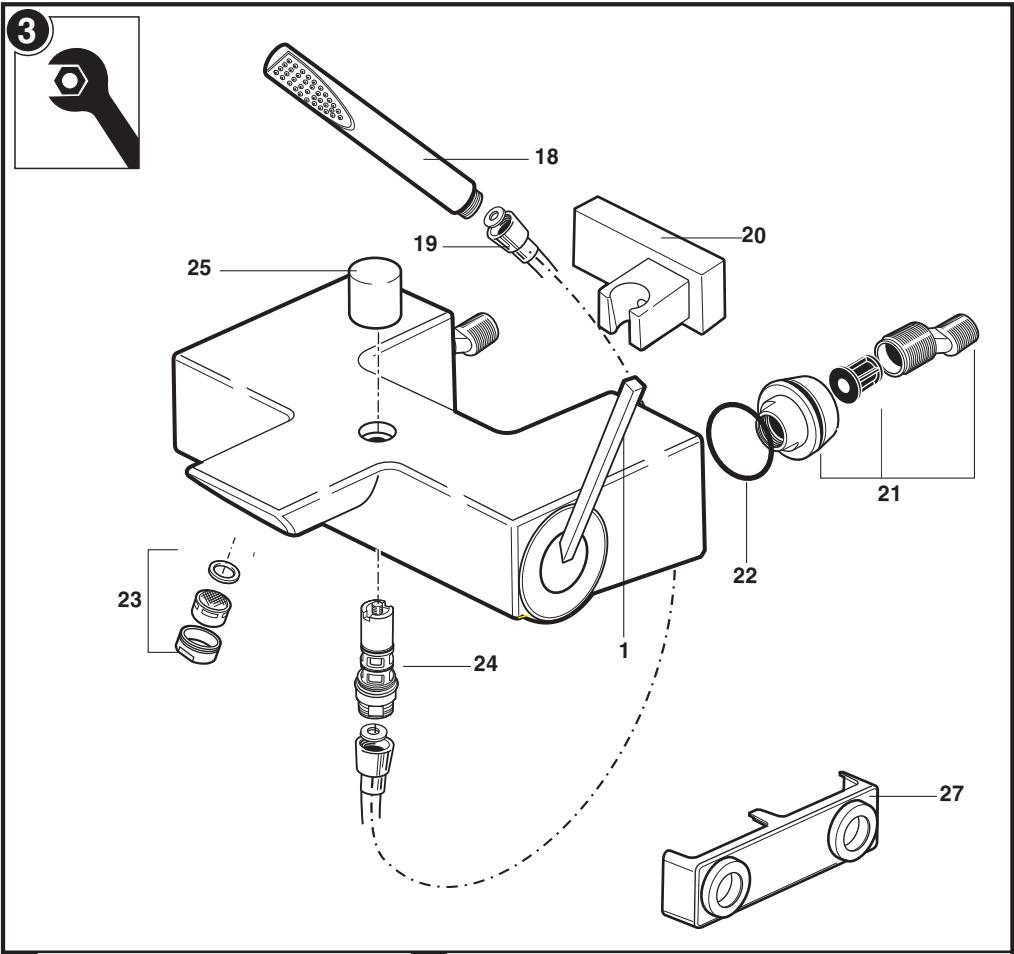
**Roca**

# TOUCH

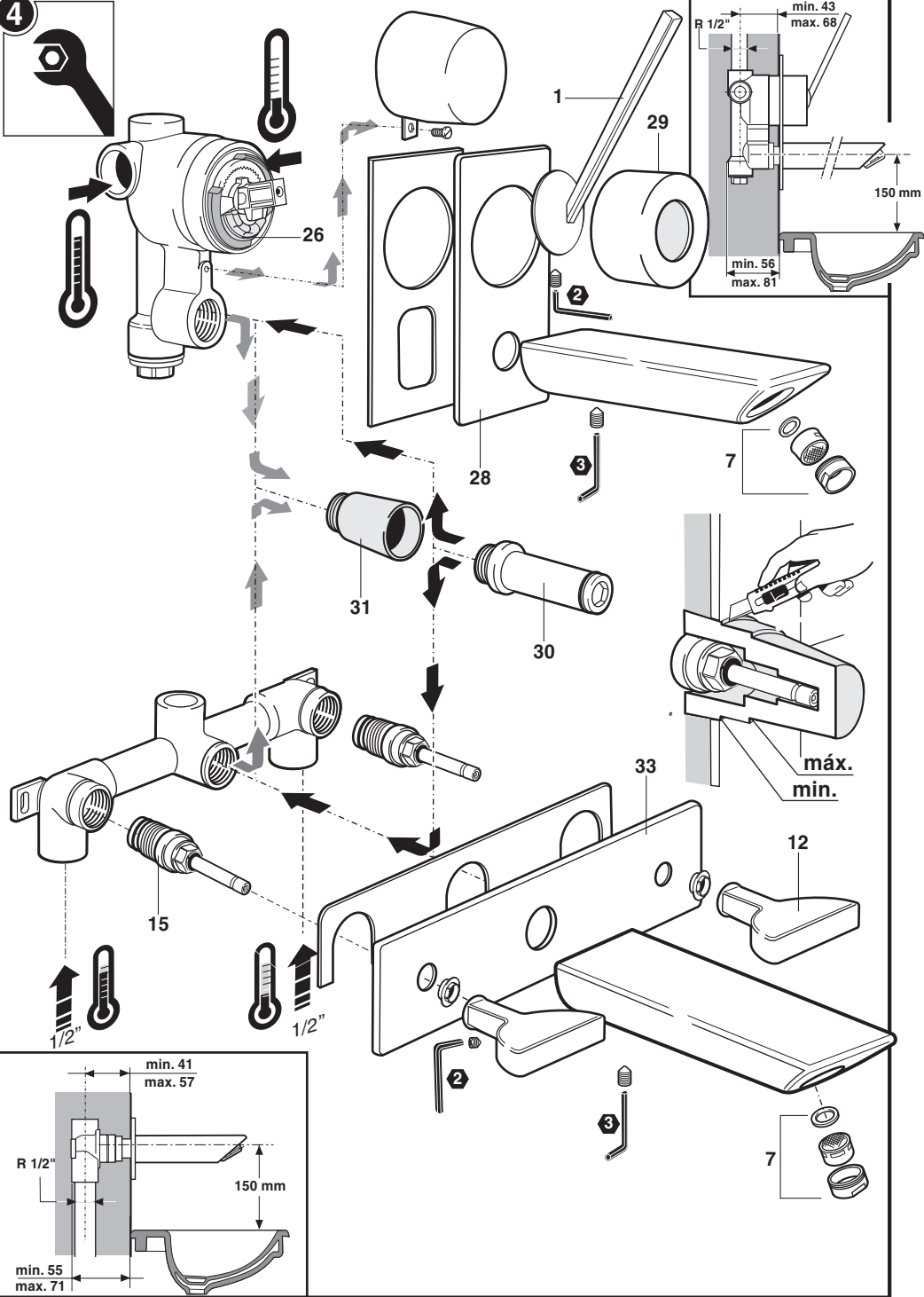




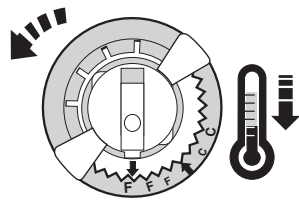
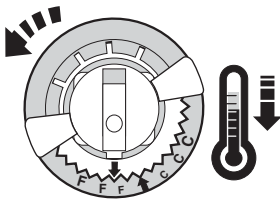
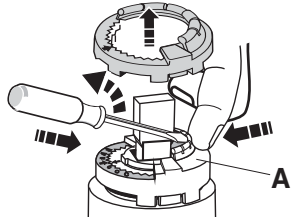
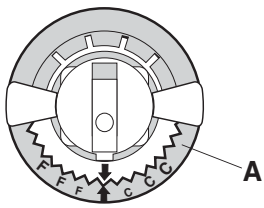
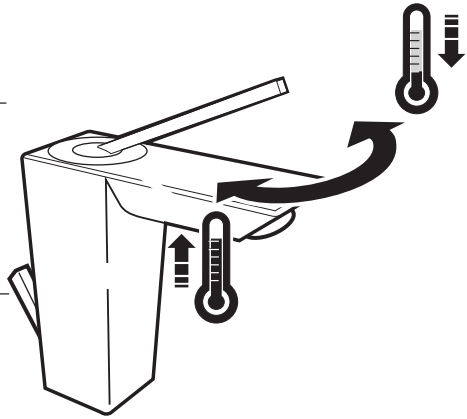
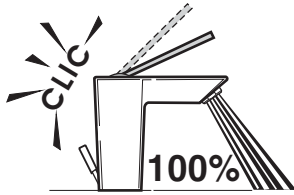
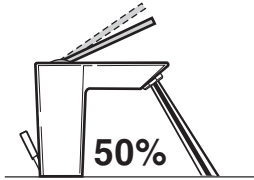
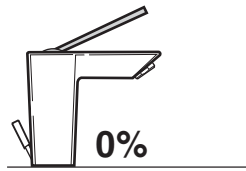





4



5






 **P** P bar

MAX. 10  
0,5 


5  


 **T** °C

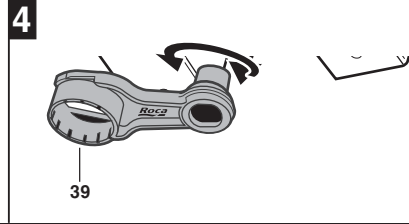
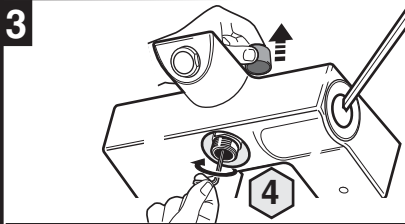
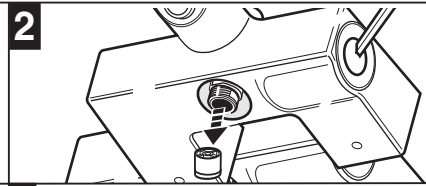
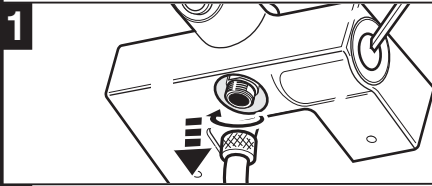
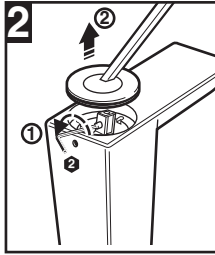
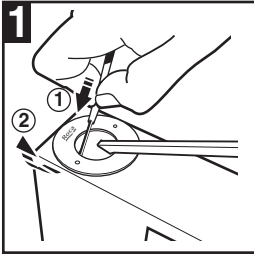
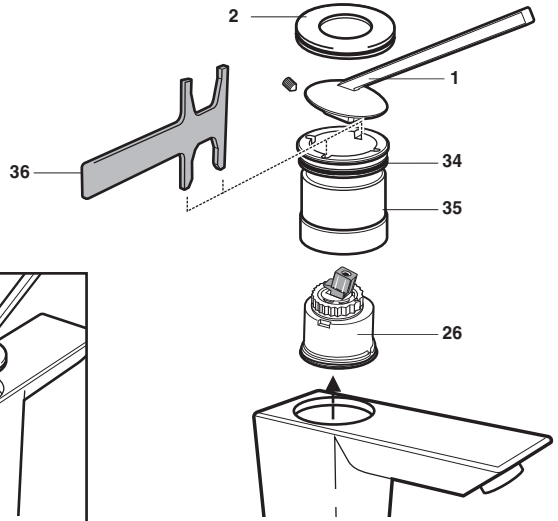
80 MAX. 

65 45  

 **Q** (3 bar) l/min

 12

 20

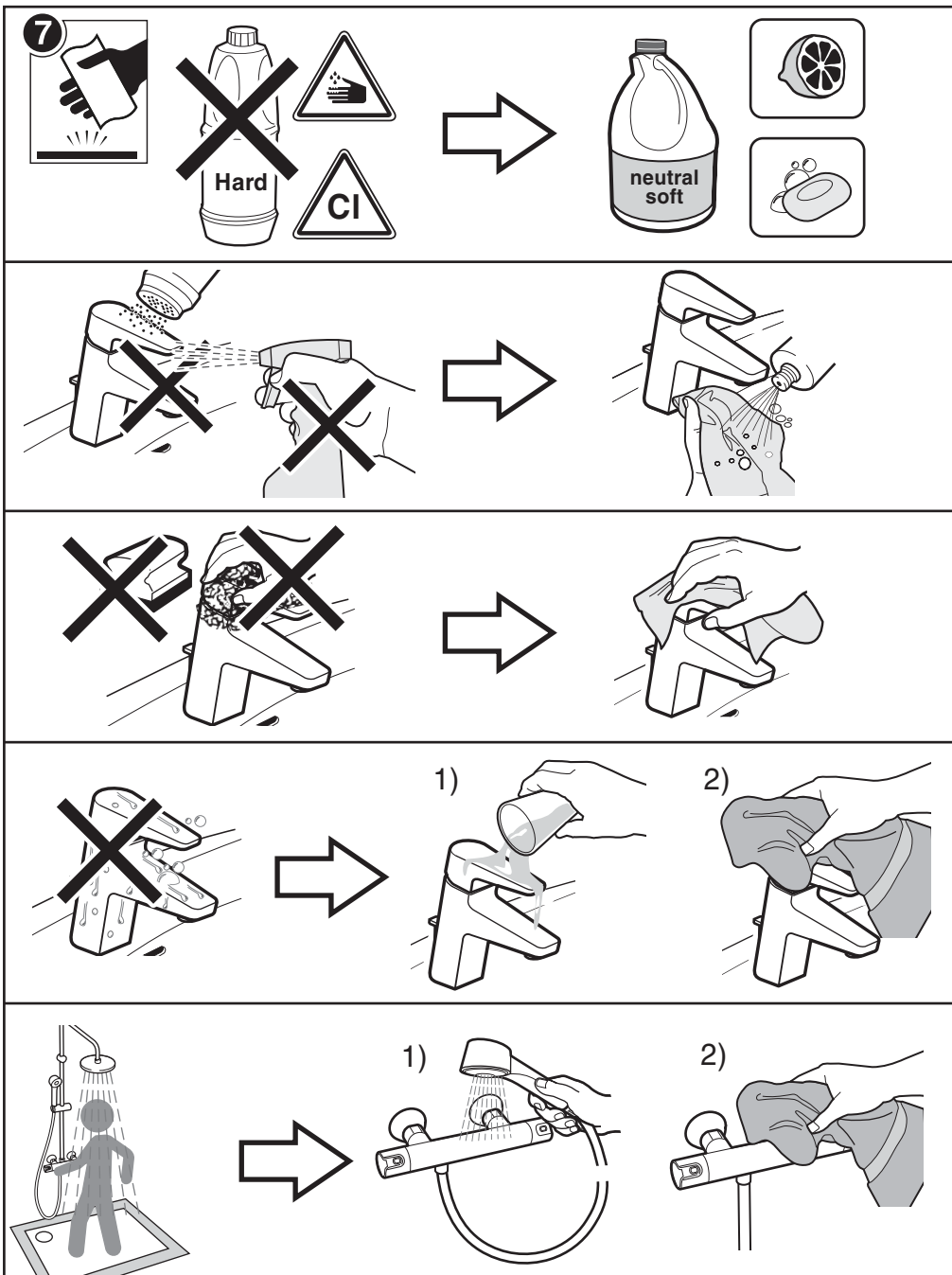


1 - 525839800  
 2 - 524812400  
 3 - 525768000  
 4 - 525767803  
 5 - 525768300  
 6 - 522665103  
 7 - 525390100  
 8 - 525769609  
 9 - 525391100  
 10 - 525001800

11 - 525437100  
 12 - 524527100  
 13 - 542816700  
 14 - 525768103  
 15 - 525159203  
 16 - 525769309  
 17 - 525385700  
 18 - 5B9047C00  
 19 - 525765000  
 20 - 505715400

21 - 525553103  
 22 - 553350807  
 23 - 525390200  
 24 - 525159100  
 25 - 523542100  
 26 - 525940604  
 27 - 524880107  
 28 - 524813400  
 29 - 542816500  
 30 - 542670303

31 - 523007607  
 32 - 525761409  
 33 - 524812500  
 35 - 522634603  
 36 - 525087203  
 37 - 525551200  
 38 - 522665803  
 39 - 525005407



**Roca Sanitario, S.A.**  
 Avda. Diagonal, 513 -08029 Barcelona - SPAIN  
 Teléfono 93 366 1200 - Fax 93 419 4501-  
 www.roca.es

**Roca**