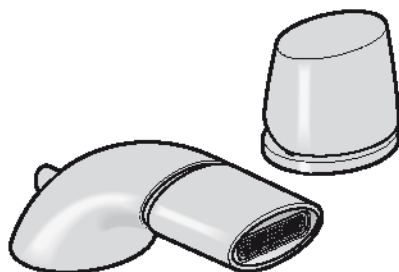
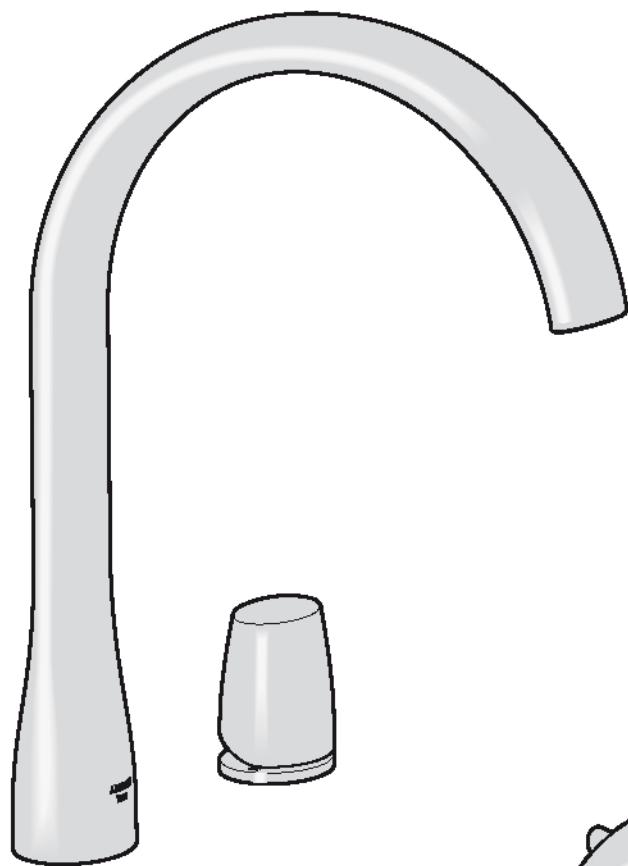
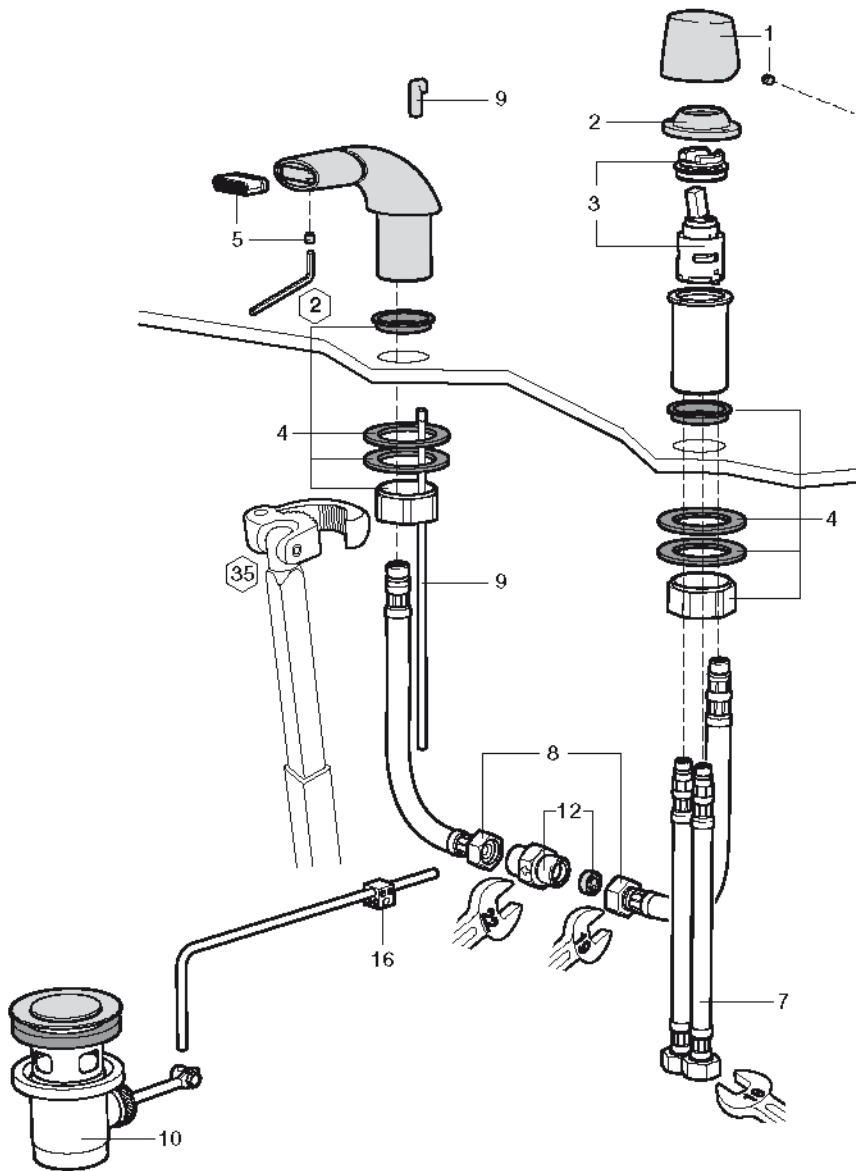
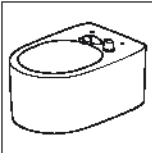
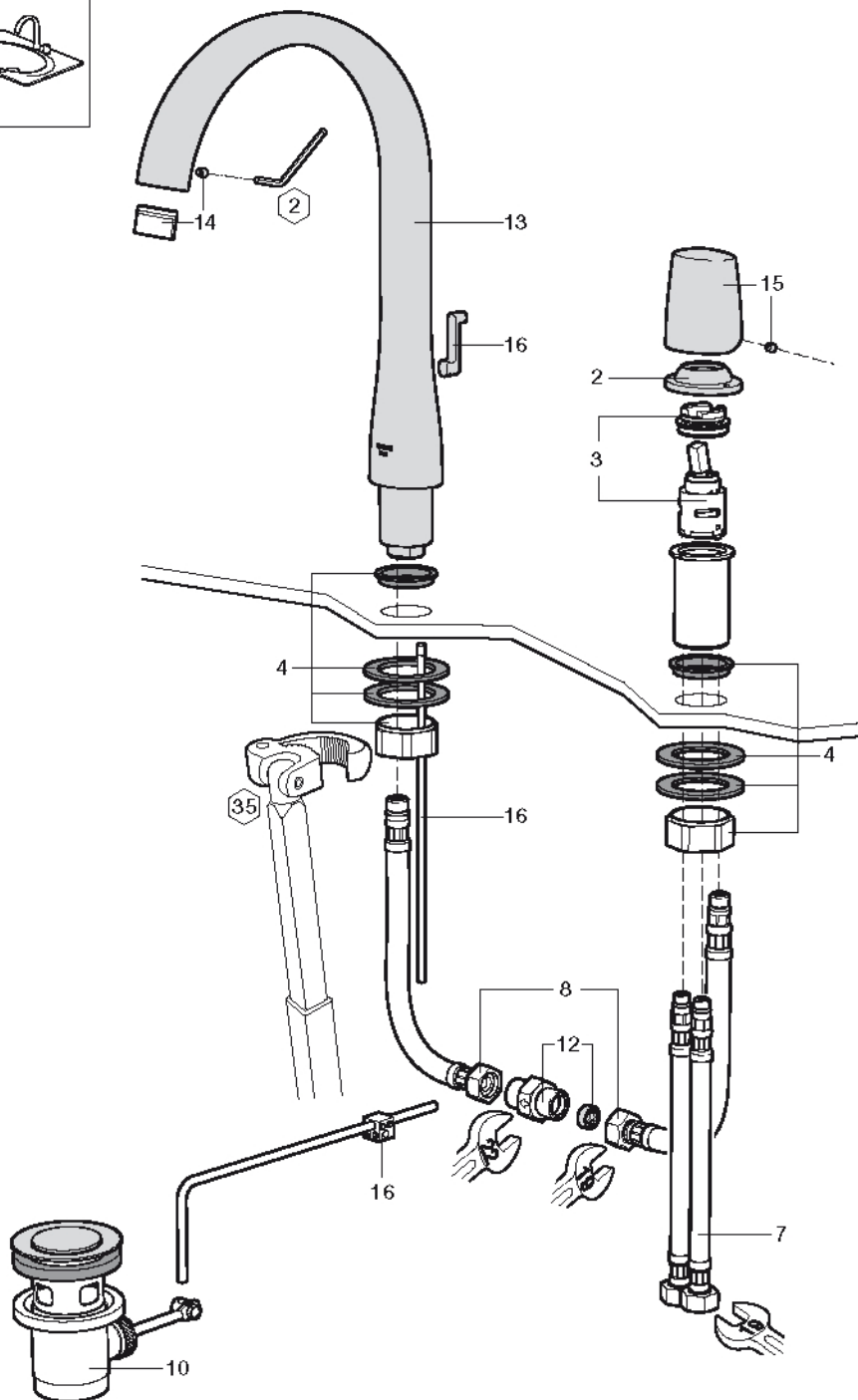


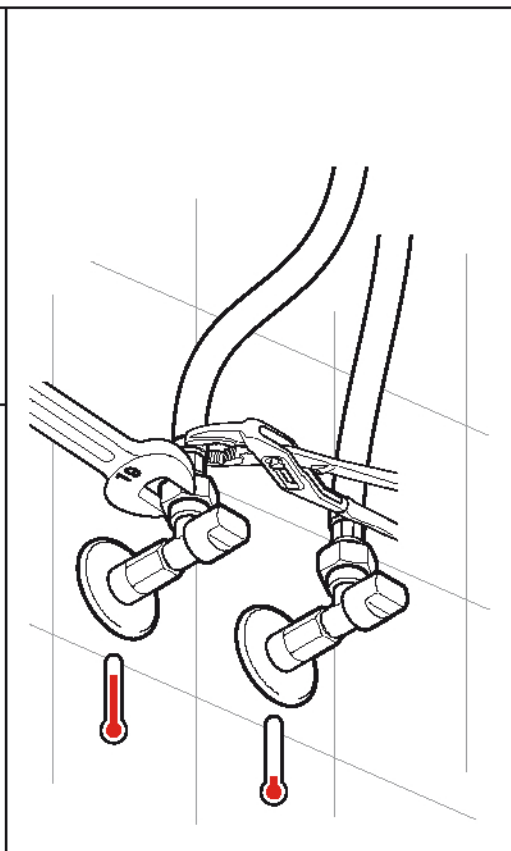
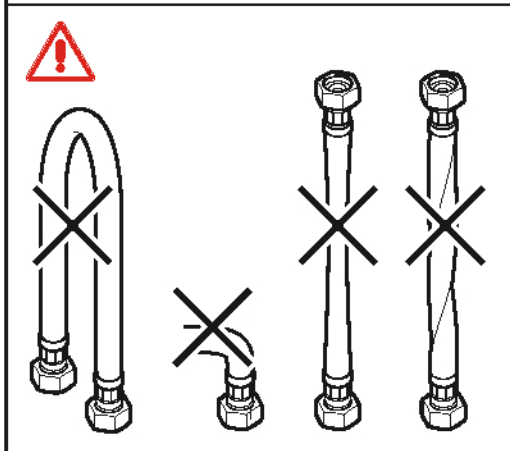
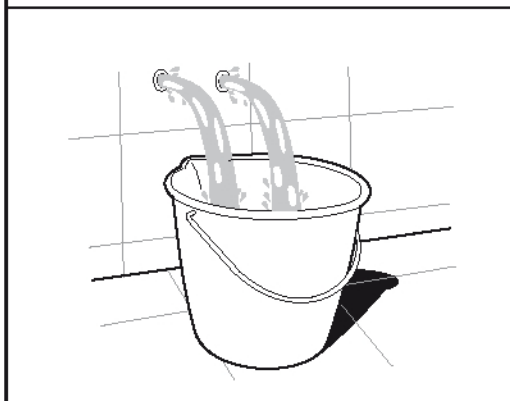
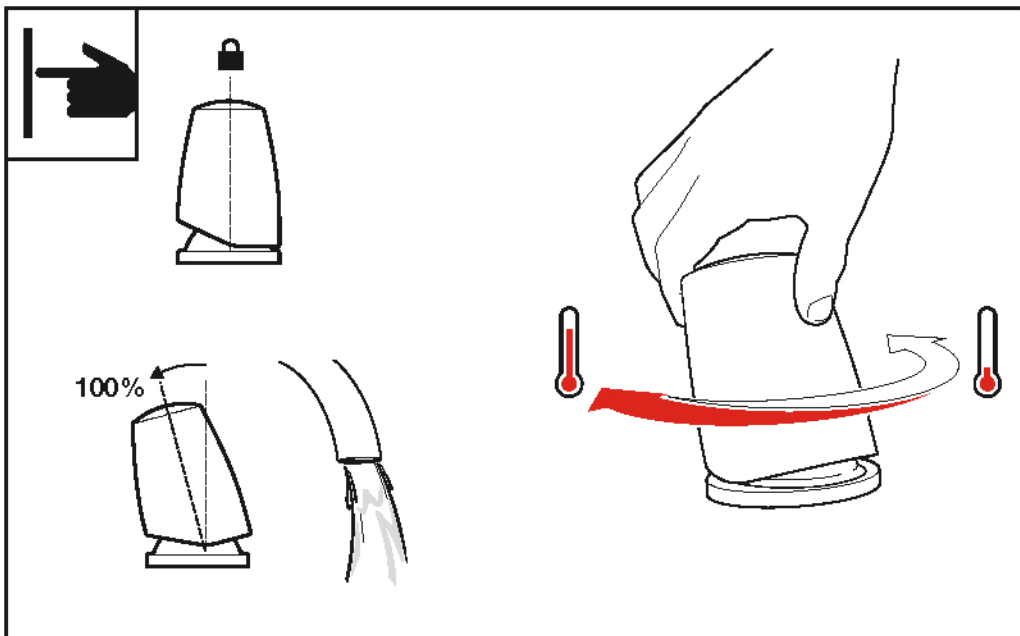


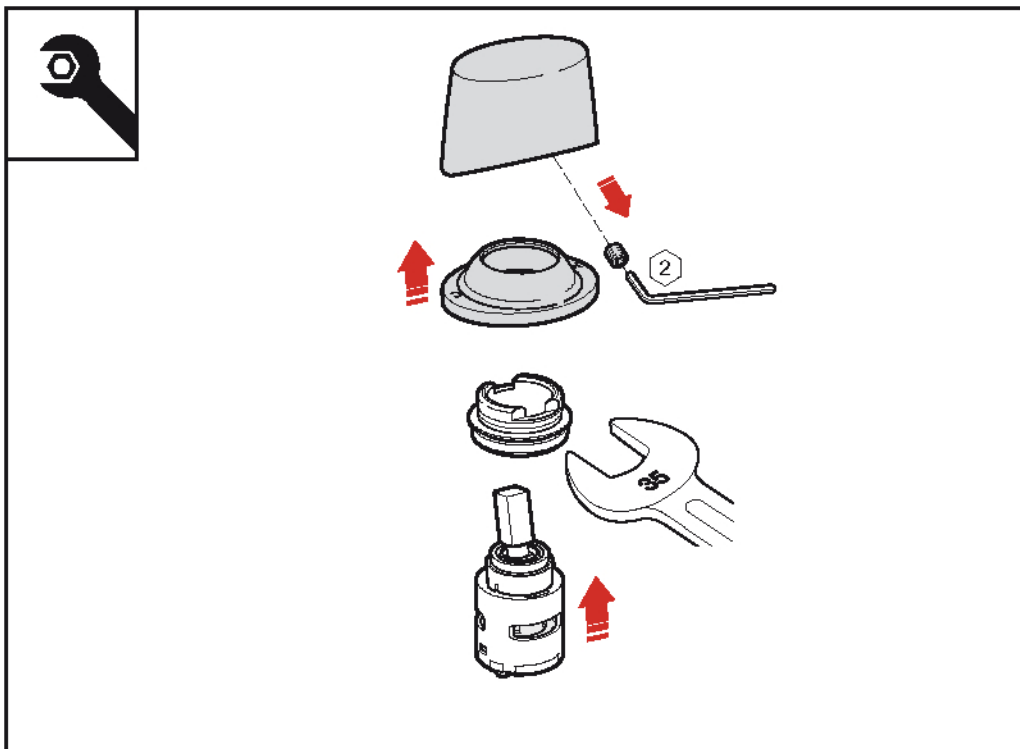
ARMANI / **Roca**






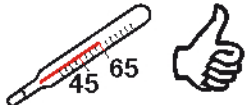

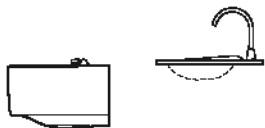












 P	P bar		
 T	°C		
 Q (3 bar)	l/min		7

1 AG00100..R	7 AG0010603R	14 AG00111..R	 AG00113..R  <table border="1" data-bbox="918 1436 1047 1524"> <tr> <td>00</td> <td>Chrome</td> </tr> <tr> <td>VC</td> <td>Greige</td> </tr> <tr> <td>VG</td> <td>Nero</td> </tr> </table>	00	Chrome	VC	Greige	VG	Nero
00	Chrome								
VC	Greige								
VG	Nero								
2 AG00101..R	8 AG0010703R	15 AG00112..R							
3 AG0010203R	9 AG00108..R	16 AG00113..R							
4 AG0010303R	10 A5254393C00								
5 AG0010403R	12 AG0011103R								
6 AG00105..R	13 AG00110..R								

