

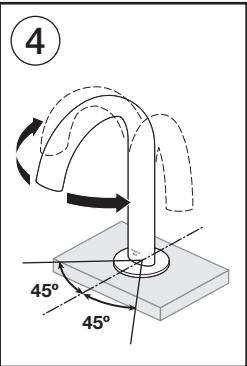
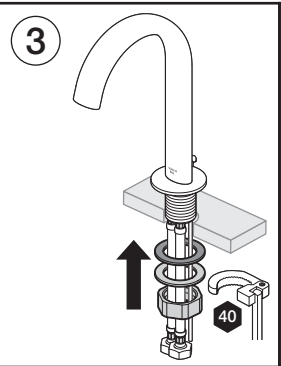
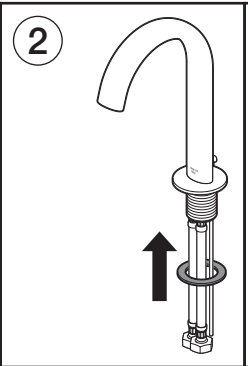
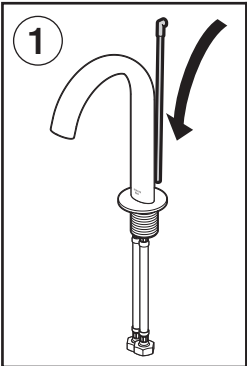
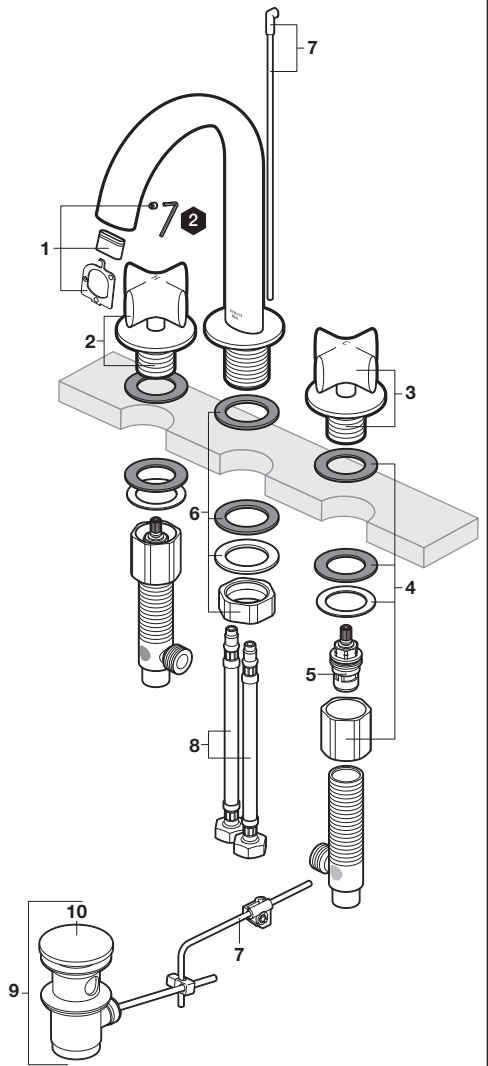
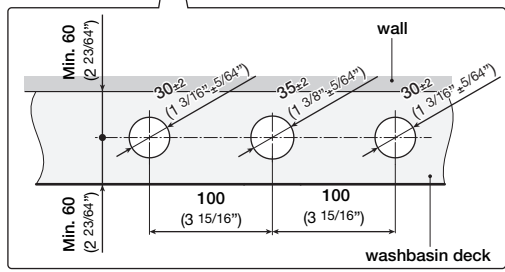
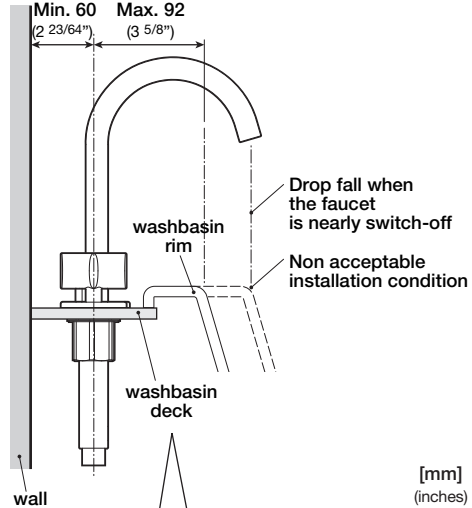


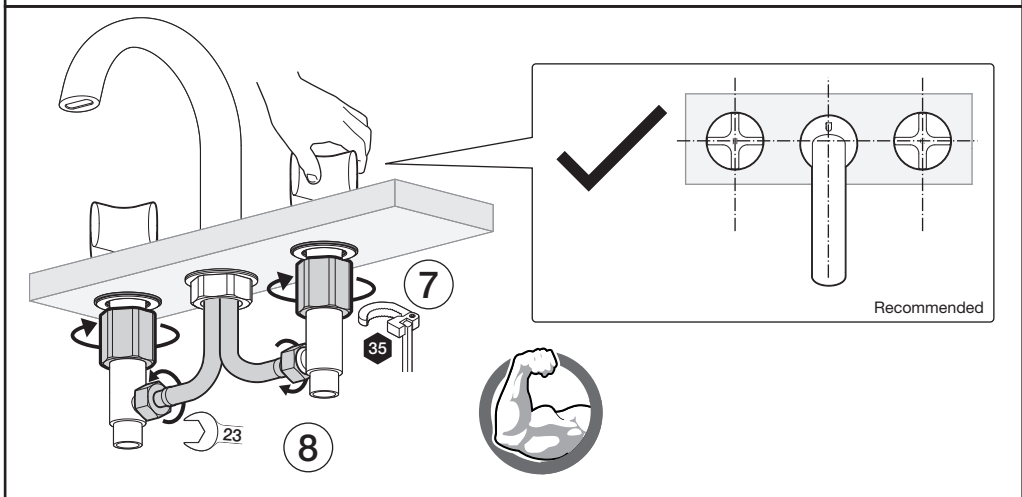
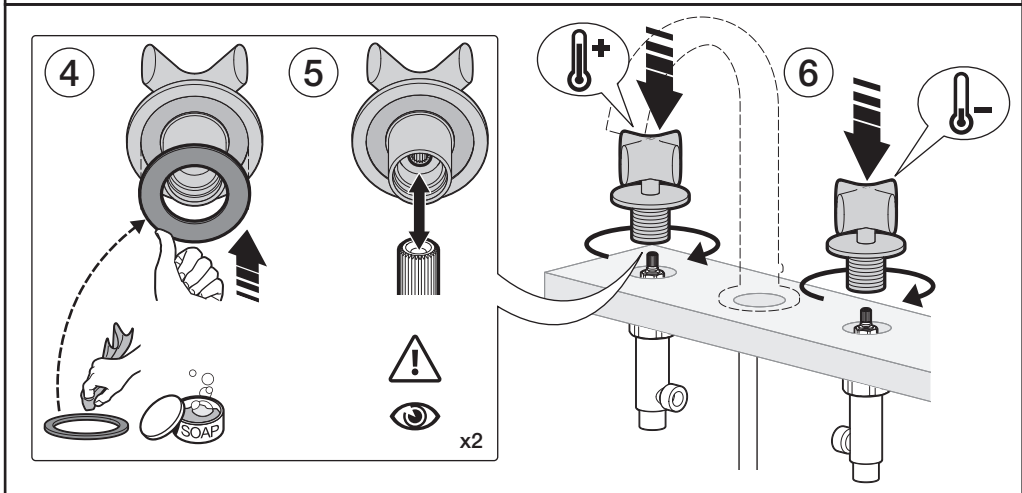
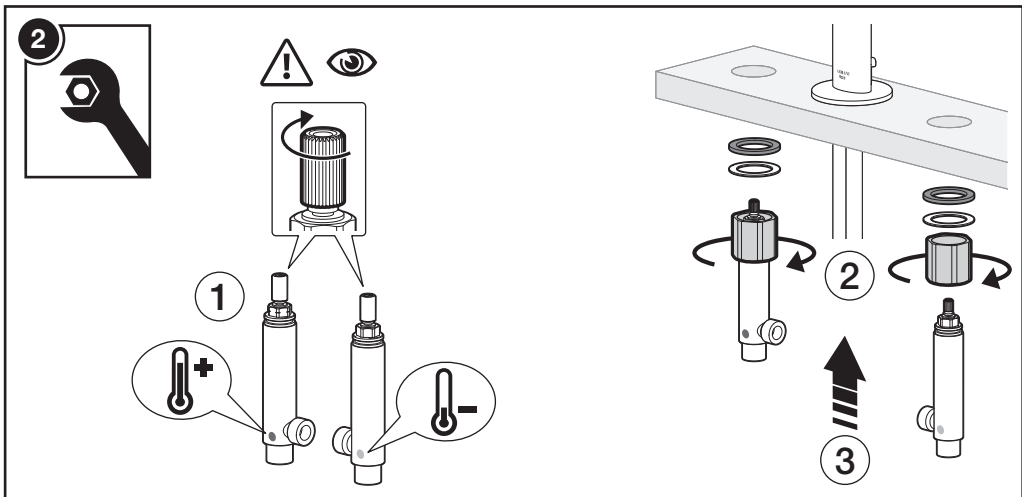
ARMANI / **Roca**





A5A3676

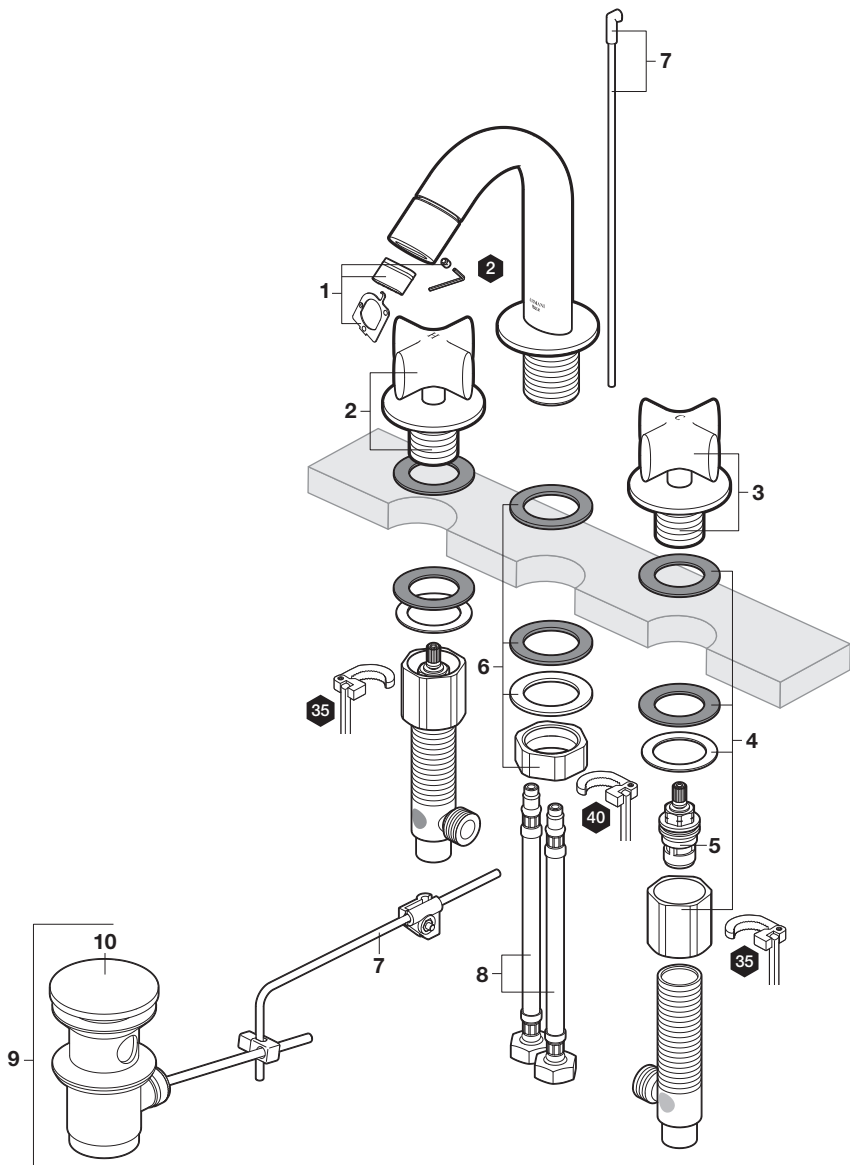




3



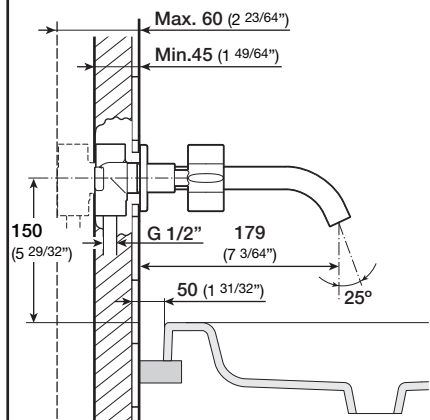
A5A7176



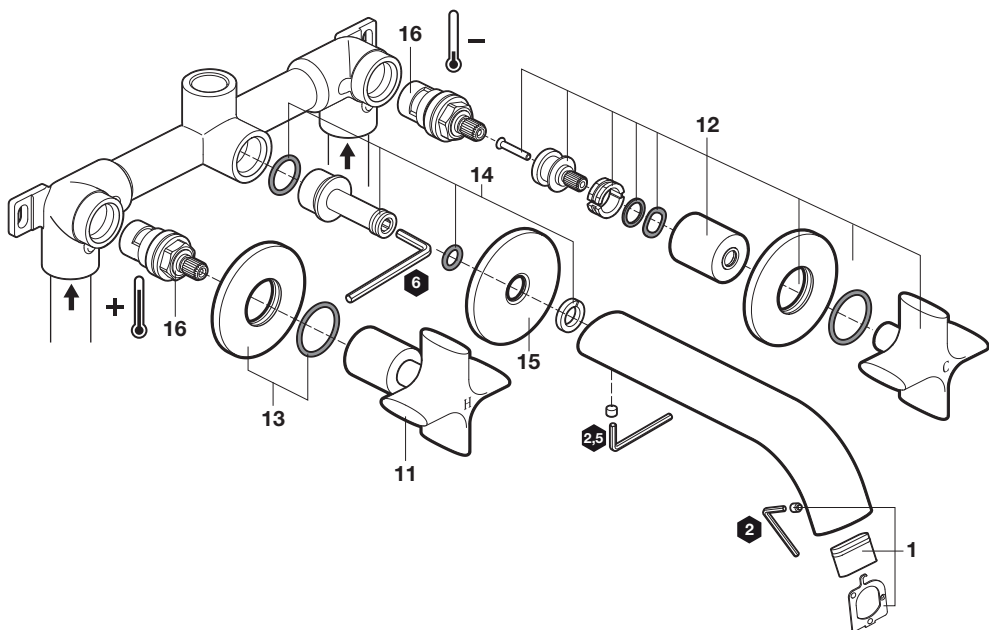
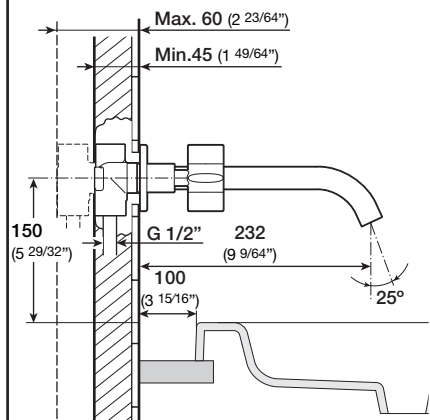
4



A5A3576

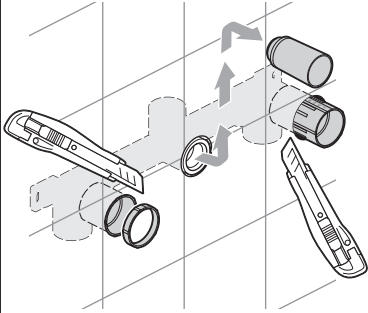
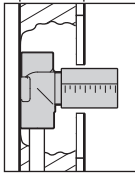


A5A4476

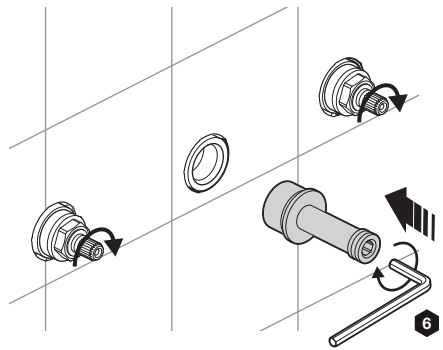


1

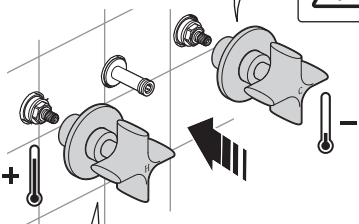
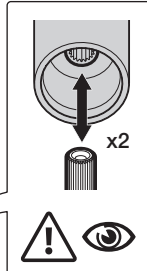
Min. 45 (1 49/64")
Max. 60 (2 23/64")



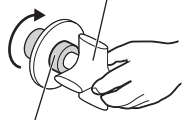
2



3



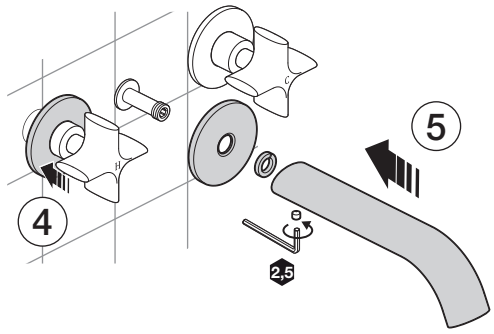
Sujetar mando en posición
Hold knob in position



Roscar
Screw

4

5





1 - G0160600R	9 - AG00754..R
2 - AG01607..R (HOT WATER)	10 - A5254392.. (USA)
3 - AG01608..R (COLD WATER)	11 - AG00962..R
4 - AG0160900R	12 - AG01612..R (HOT WATER)
5 - AG0153400R	13 - AG01613..R (COLD WATER)
5 - AG0161700R (USA)	14 - AG016140..R
6 - AG0161000R	15 - AG01615..R
7 - AG00336..R	16 - AG01616..R
8 - AG0103808R	16 - AG0161800R

Sustituir (..) de la referencia del recambio por el código del acabado elegido:
 In the spare part number replace (..) with the code for the chosen finish:

00 Cromado / Chromed

VC Greige

VS Brushed Steel

P	P bar (psi)	min 0,5 (7.25) max 10 (145)	5 (72.5) 1 (14.5)
T	°C (°F)	+ - 80 max (176)	45 (149) 65 (149)
Q (3 bar) (43.5 psi)	l/min (gpm)	4 (1)	

