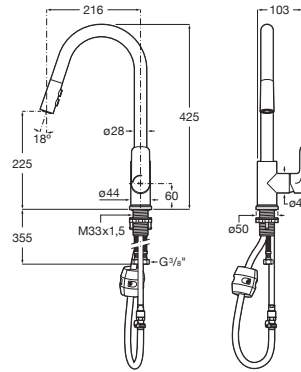


CALA

Kitchen sink mixer U spout pull-down



TECHNICAL DRAWINGS



FEATURES

- Aerator type: Fixed
- Application place: Kitchen sink
- Check valve
- Cold water position in the center
- Faucet type: Single-lever
- Flexible supply hoses included
- Handle position: Lateral
- High neck
- Installation type: Deck-mounted
- Maximum Continuous Working Pressure (kPa): 5
- Pull-out spout
- Spout position: High
- WarrantyDomesticUse: 5 years
- Waste type: Waste not included
- Water and energy saving
- Water connection thread: 3/8"



Evershine

Cala

A cylindrical and slim body of only 38 mm and a flat rectangular handle, in perfect harmony with the shape of the spout, are the essence of Cala's design. The ultimate blend of visual elements to create the best proportion and style.



INSTALLATION AND USER MANUALS



[Installation Handbook](#)