

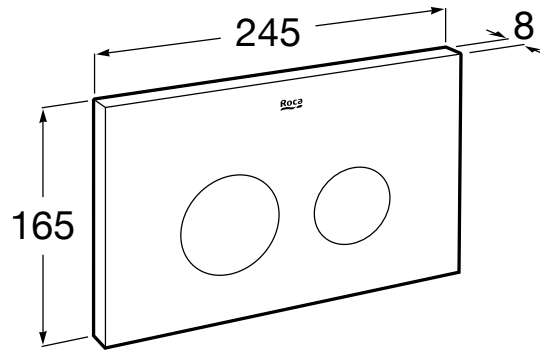
IN-WALL

Operating plate AC2

PRICE (VAT INCLUDED)

BGN30.00 BGN.00

TECHNICAL DRAWINGS



FEATURES

Number of buttons: 2

COMPATIBLE WITH



Installation system for floorstanding WC. With compact cistern and dual flush mechanism 6/3, 4.5/3 and 4/2 litres and installation accessories. Minimum depth: 80 mm. (Preset to 4,5/3L)



Installation system for floorstanding WC. With compact cistern and dual flush mechanism 6/3, 4.5/3 and 4/2 litres and installation accessories. Minimum depth: 80 mm. (Preset to 6/3L)



Installation system for wall-hung WC. With compact cistern and dual flush mechanism 6/3, 4.5/3 and 4/2 litres and installation accessories. Minimum depth with horizontal outlet: 80 mm Minimum depth with vertical outlet: 90/110 mm



Installation system for wall-hung wc, brick wall
890060120



Installation system for wall-hung WC. With compact cistern and dual flush mechanism 6/3, 4.5/3 and 4/2 litres and installation accessories. Minimum depth with horizontal outlet: 80 mm Minimum depth with vertical outlet: 107/125 mm



Installation system for wall-hung wc, light wall
890060020

In-Wall

Systems that combine efficiency and technology to deliver the best performance.

